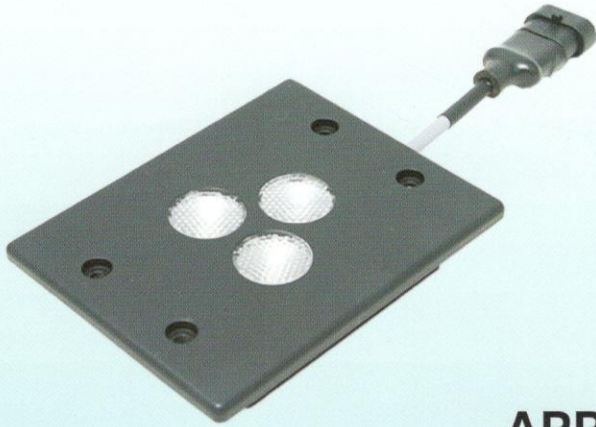


LTL LED DOME LIGHT



FEATURES/BENEFITS

- ▶ Main & blackout lighting
- ▶ Long life time (30.000 hours)
- ▶ No requirement to replace bulbs
- ▶ Low power consumption
- ▶ Instead of flourescent, healty illumination
- ▶ Low profile design

APPLICATIONS

▶ Military Vehicles

▶ Shelters

MECHANICAL DIMENSIONS

- ▶ **L x W x H:** 120mm x 93 mm x 22 mm
- ▶ **Weight:** 290 gr

MATERIALS/FINISH

- ▶ **Housing Color:** Black
- ▶ **Housing Material:** Aluminium
- ▶ **Lens Material:** Acrylic

ELECTRICAL SPECIFICATIONS


- ▶ **Input Voltage:** 16V-32V DC
- ▶ **Nominal Power:** 7 Watt
- ▶ **Connector Type:** AMP 3 pins

EVENT DRIVEN CONTROLS

- ▶ Command control
- ▶ Door opening control

STANDARDS PROVIDED BY THE DEVICE

- ▶ **MIL-STD-810F:** Enviromental Engineering Considerations
- ▶ **MIL-STD-461E,RE102 & CE102:** EMI/RFI
- ▶ **MIL-STD-1275D:** Electrical Systems in Military Vehicles

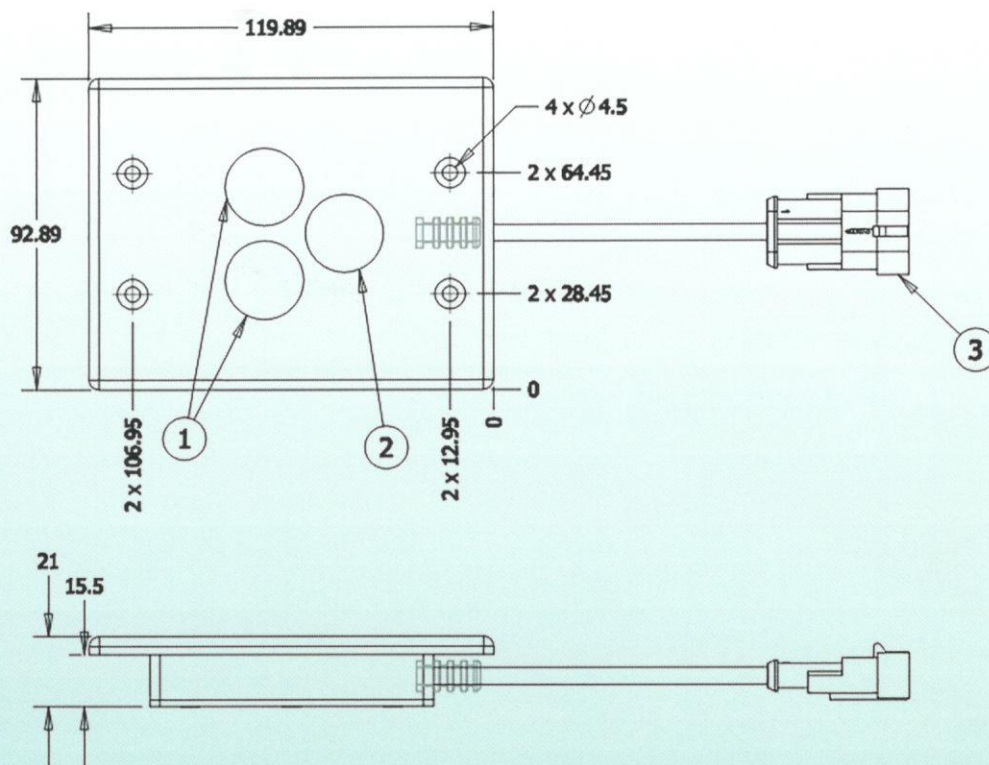
 mylaser™

www.mylaser.com.tr

Hacettepe Teknokent 3. Ar-Ge Binası No:4 Hacettepe Üniversitesi Beytepe Kampüsü
Beytepe 06800 Çankaya-Ankara-TURKEY

Phone: +90 312 2100135 E-mail: info@mylaser.com.tr

MECHANICAL DRAWING



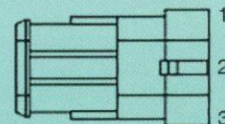
unit: mm

PHOTOMETRIC SPECIFICATIONS

- ▶ **Total Flux:** 600 Lumen
- ▶ **FWHM:** 70°
- ▶ **Dimming Range:** N/A
- ▶ **Light Intensity (Main Light):** 220 lux @ 1m
- ▶ **Light Intensity (Blackout Light):** 70 lux @ 1m
- ▶ **Blackout Light Colour:** Blue

CONNECTOR PINOUT

- ▶ **1:** White Lighting 24V DC
- ▶ **2:** Ground
- ▶ **3:** Blackout Ligting 24V DC



mylaserTM

www.mylaser.com.tr

Hacettepe Teknokent 3. Ar-Ge Binası No:4 Hacettepe Üniversitesi Beytepe Kampüsü
Beytepe 06800 Çankaya-Ankara-TURKEY

Phone: +90 312 2100135 E-mail: info@mylaser.com.tr